

INDUSTRIAL LED LIGHT

2017-2018
CATALOG

LUCOH



LUCOH
www.lucoh.com



Lucoh is a leading manufacturer and supplier of portable battery lighting products and industrial LED lighting for construction, industry and hazardous work environments. For over years, LUCOH has been providing the very best in battery portable lighting, industrial lighting and static grounding products for using on the most challenging job-sites.

At Lucoh, We have built our reputation on providing customers with safe, dependable lighting and they are tough enough for any industry. From Oil and gas to aviation, construction, chemical, and automotive, Lucoh's products can be found across a wide array of sectors and in some of world's most difficult workplaces.

Part of our customers come back to us time and again is that LUCOH can offer various of R & D solutions according to customers' unique requirements. Our team understand today's competitive environments and we can not afford to any projects always with old solutions. The new products' design will help us and keep our customers always stay ahead of the market.

TEL:+86-571-87114761

FAX:+86-571-87114571

E-mail:sales@lucoh.com

Web:www.lucoh.com

<http://lucohproducts.en.made-in-china.com/>

Portable Industrial Flood Light

L10 Series

Universal Battery system





Battery

Fire resistant PC housing.
Detachable battery pack.
Battery indicators.
USB output for optional.

Bracket

Frame protection.
M10 nut can fix the lamp onto tripod stand.
Painting surface.

PC lens

Half-angle 60 degree.
Perfect light beam.
Optical pc material.

L10-1020-20W

- 20W
- 1700LM
- IP65
- 3-4 H/Battery
- 3-3.5H/Battery,6-7H/2* Batteries

Size & Weight

184*156.51*224.73mm & 1905g

1m intensity of illumination

1600lux

Beam Angle

60 Degree(half angle) 120 Degree(full angle)

CCT

optional(6000-6500K is the most popular)

Accessory

100-240V input,12V,1A output adaptor and

12/24V car charger

Battery

2*7.4V ,4.4Ah

Working Mode

100%/50%/off

Battery Indicator

5 levels indicator
green/green/green/amber/red

PCB protection

over-charging and over-discharging protection and
high temperature protection(70 C).

L10-1020-10W

- 10W
- 750LM
- IP65
- 3-4 H/Battery
- 5-6 H/Battery,10-11H/2* Batteries

Size & Weight

184*156.51*224.73mm & 1905g

1m intensity of illumination

680lux

Beam Angle

60 Degree(half angle) 120 Degree(full angle)

CCT

optional(6000-6500K is the most popular)

Accessory

100-240V input,12V,1A output adaptor and

12/24V car charger

Battery

2*7.4V ,4.4Ah

Working Mode

100%/50%/off

Battery Indicator

5 levels indicator
green/green/green/amber/red

PCB protection

over-charging and over-discharging protection and
high temperature protection(70 C).



Angle adjustable

Quick release for adjustable head.

The handle

Ergonomics design--convenient to hold and good touch.

Lamp head

Aluminium alloy material--good for heat dissipation.
Rubber cover surface--shockproof.
4mm tempered glass.

L10-2040-40W

- P** 40W
- 💡** 3700LM
- IP** IP65
- 🔋** 3-4 H/Battery
- 🕒** 3-4 H/Battery, 6-7H/2* Batteries

Size & Weight

234.5*178.5*284.08mm & 3885g

1m intensity of illumination

3300lux

Beam Angle

60 Degree(half angle) 120 Degree(full angle)

CCT

optional(6000-6500K is the most popular)

Accessory

100-240V input, 25.2V, 2A output charger

Battery

2*22.2V ,4.4Ah

Working Mode

100%/50%/off

Battery Indicator

5 levels indicator

green/green/green/amber/red

PCB protection

over-charging and over-discharging protection and high temperature protection(70 C).

L10-2040-20W

- P** 20W
- 💡** 1700LM
- IP** IP65
- 🔋** 3-4 H/Battery
- 🕒** 7-8 H/Battery, 14-15H/2* Batteries

Size & Weight

234.5*178.5*284.08mm & 3840g

1m intensity of illumination

1600lux

Beam Angle

60 Degree(half angle) 120 Degree(full angle)

CCT

optional(6000-6500K is the most popular)

Accessory

100-240V input, 25.2V, 2A output charger

Battery

2*22.2V ,4.4Ah

Working Mode

100%/50%/off

Battery Indicator

5 levels indicator

green/green/green/amber/red

PCB protection

over-charging and over-discharging protection and high temperature protection(70 C).



Battery

Fire resistant PC housing.
Detachable battery pack.
Battery indicators.
USB output for optional.

Bracket

Frame protection.
M10 nut can fix the lamp onto tripod stand.
Painting surface.

PC lens

Half-angle 60 degree.
Perfect light beam.
Optical pc material.



Angle adjustable

Quick release for adjustable head.

The handle

Ergonomics design--convenient to hold and good touch.

Lamp head

Aluminium alloy material--good for heat dissipation.
Rubber cover surface--shockproof.
4mm tempered glass.

L10-0510-10W

- Ⓟ 10W
- 💡 750LM
- 🛡️ IP65
- 🔋 3-4 H/Battery
- 🕒 5-6 H/ Battery

Size & Weight

156*177*166mm & 1000g

1m intensity of illumination

680lux

Beam Angle

60 Degree(half angle) 120 Degree(full angle)

CCT

optional(6000-6500K is the most popular)

Accessory

100-240V input,12V,1A output adaptor and

12/24V car charger

Battery

7.4V ,4.4Ah

Working Mode

100%/50%/off

Battery Indicator

5 levels indicator

green/green/green/amber/red

PCB protection

over-charging and over-discharging protection and high temperature protection(70 C)



Battery

Fire resistant PC housing.
Detachable battery pack.
Battery indicators.
USB output for optional.

Angle adjustable

360 degree adjustable head.

PC lens

Half-angle 60 degree.
Perfect light beam.
Optical pc material.

Lamp head

Aluminium alloy material--good for heat dissipation.
Rubber cover surface--shockproof.
4mm tempered glass.

Bracket

Painting surface.
Portable and Hook design



Optional Carrying Case



Portable Industrial Flood Light

L10 G Series





L10-G2040-40W-A

- 40W
- 2400LM
- IP65
- 2*7.4V ,4.4Ah
- 3-4 H/Battery
- 1.5-2 H/1Battery,3-4H/2* Batteries



L10-G2040-40W-B

- 40W
- 3700LM
- IP65
- 1*22.2V ,4.4Ah
- 3-4 H/Battery
- 3-4H



Battery

Fire resistant PC housing.
Detachable battery pack.
Battery indicators.
USB output for optional.

Stand

Strong magnet can attach to Iron surface
Adjustable tripod fixed wing screw
Multiple stand are available

PC lens

Half-angle 60 degree.
Perfect light beam.
Optical pc material.

Angle adjustable

Butterfly nut release for adjustable head

The handle

Hook design handle with locking system
Suitable for more complex and hazardous environment

Lamp head

Aluminium alloy material--good for heat dissipation.
Rubber cover surface--shockproof.
4mm tempered glass.



Size & Weight

L10-G2040-40W-A:
215*185*335mm & 2495g
L10-G2040-40W-B:
215*185*335mm & 2650g

1m intensity of illumination

L10-G2040-40W-A:2400lux
L10-G2040-40W-B:3300lux

Beam Angle

60 Degree(half angle) 120 Degree(full angle)

CCT

optional(6000-6500K is the most popular)

Accessory

L10-G2040-40W-A:
100-240V input,12V,1A output adaptor and
12/24V car charger

L10-G2040-40W-B:

25.2V,2A AC/DC charger

Working Mode

100%/50%/off

Battery Indicator

5 levels indicator
green/green/green/amber/red

PCB protection

over-charging and over-discharging protection and
high temperature protection(70 C)



L10-G2040-20W-A

- 20W
- 1250LM
- IP65
- 2*7.4V ,4.4Ah
- 3-4 H/Battery
- 3 H/Battery,6 H/2* Batteries



L10-G2040-20W-B

- 20W
- 1700LM
- IP65
- 1*22.2V ,4.4Ah
- 3-4 H/Battery
- 8H/Battery



Size & Weight

L10-G2040-20W-B:
215*175*335mm & 2495g
L10-G2040-20W-A:
215*175*335mm & 2650g

1m intensity of illumination
1600lux

Beam Angle
60 Degree(half angle) 120 Degree(full angle)
CCT
optional(6000-6500K is the most popular)

Accessory

L10-G2040-20W-B:
25.2V,2A AC/DC charger
L10-G2040-20W-A:
100-240V input,12V,1A output adaptor and
12/24V car charger

Working Mode

100%/50%/off

Battery Indicator

5 levels indicator
green/green/green/amber/red

PCB protection

over-charging and over-discharging protection and
high temperature protection(70 C)



Battery

Fire resistant PC housing.
Detachable battery pack.
Battery indicators.
USB output for optional.

Stand

Strong magnet can attach to Iron surface
Adjustable tripod fixed wing screw
Multiple stand are available

PC lens

Half-angle 60 degree.
Perfect light beam.
Optical pc material.

Angle adjustable

Butterfly nut release for adjustable head

The handle

Hook design handle with locking system
Suitable for more complex and hazardous environment

Lamp head

Aluminium alloy material--good for heat dissipation.
Rubber cover surface--shockproof.
4mm tempered glass.



Battery
 Fire resistant PC housing.
 Detachable battery pack.
 Battery indicators.
 USB output for optional.

Angle adjustable
 Butterfly nut release for adjustable head.

Stand
 Strong magnet can attach to Iron surface.
 Multiple stand are available.

L10-0510-10W

- 10W
- 750LM
- IP65
- 3-4 H/Battery
- 5-6 H/ Battery

Size & Weight

147*161*240mm & 1260g

1m intensity of illumination

680lux

Beam Angle

60 Degree(half angle) 120 Degree(full angle)

CCT

optional(6000-6500K is the most popular)

Accessory

100-240V input,12V,1A output adaptor and

12/24V car charger

Battery

7.4V ,4.4Ah

Working Mode

100%/50%/off

Battery Indicator

5 levels indicator

green/green/green/amber/red

PCB protection

over-charging and over-discharging protection and high temperature protection(70 C)

L10-2002-10W

- 10W
- 800LM
- 4-5 H/Battery
- 2-2.5H/High,6-7H/Low

L10-2002-30W

- 30W
- 2200LM
- 4-5 H/Battery
- 2-2.5H/High,6-7H/Low

L10-2002-50W

- 50W
- 4000LM
- 3.5-4.5 H/Battery
- 2-2.5H/High,6-7H/Low

Size & Weight

L10-2002-10W:193*127*76mm,860g

L10-2002-30W:250*158*95mm,1504g

L10-2002-50W:302*197*100mm,2668g

Beam Angle

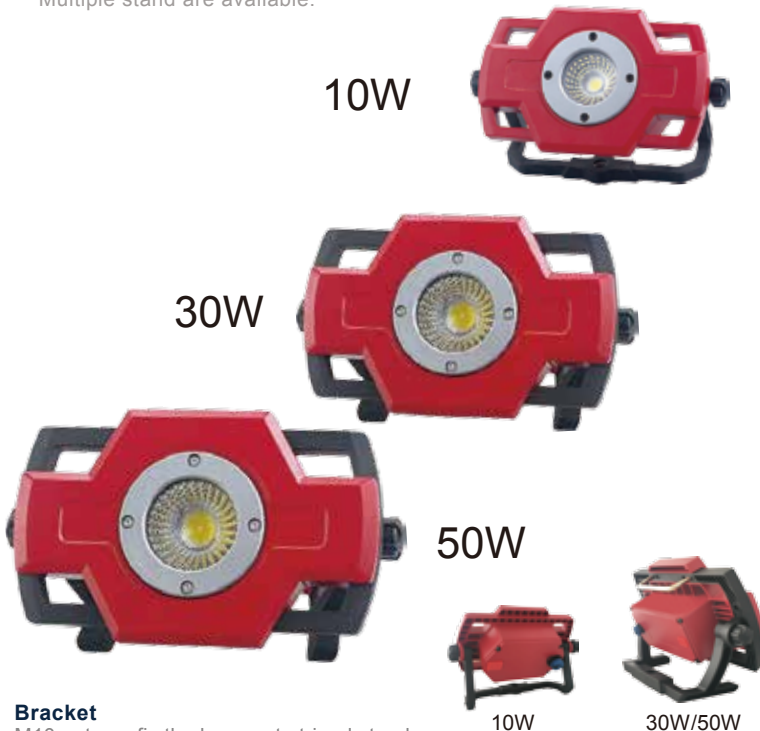
60 Degree

CCT

optional(6000-6500K is the most popular)

Working Mode

High- Low - Off



Bracket

M10 nut can fix the lamp onto tripod stand.

Accessory

L10-2002-10W:4.2V,1A AC/D charger

L10-2002-30W:12.6V ,1.2A AC/DC charger

L10-2002-50W:16.8V ,1A AC/DC charger

Battery

L10-2002-10W:3.7V 5200mAh

L10-2002-30W:11.1V ,4000mAh

L10-2002-50W:14.8V ,5200mAh

PCB protection

over-charging and over-discharging protection

Portable Industrial Work Light





Battery

Working Mode--100% 50% SOS FLASH OFF
Battery indicators.

Angle adjustable

Adjustable head.

Lamp head

Aluminium alloy material--good for heat dissipation.

Magnet

Strong magnet can attach to Iron surface

USB

USB output

L12-2002-5L

P 15W

Light 800LM

IP IP44

Down 4-5H

Up 3-4H

Size & Weight

115*100*235mm/740g

Beam Angle

60 Degree

CCT

6500K

Accessory

AC/DC adaptor (9V,1.2A)& 12/24V DC car charger

Other function

With USB output,With 4 strong magnet on the bottom

Working Mode

100% 50% SOS FLASH OFF

Battery Indicator

4 levels indicator

Battery

7.4V ,4400mAh

PCB protection

over-charging and over-discharging protection

L12-2002-9S

P 9W

Light 600LM

IP IP44

Down 4-5H

Up 4-5H

Size & Weight

115*100*235mm & 740g

Beam Angle

45 Degree

CCT

6500K

Accessory

AC/DC adaptor (9V,1.2A)& 12/24V DC car charger.

Other function

With USB output,With 4 strong magnet on the bottom

Working Mode

100% 50% SOS FLASH OFF

Battery Indicator

4 levels indicator

Battery

7.4V,4400mAh

PCB protection

over-charging and over-discharging protection



Battery

Working Mode--100% 50% SOS FLASH OFF
Battery indicators.

Adjustable angle

Adjustable head.

Lamp head

Aluminium alloy material--good for heat dissipation.

Magnet

Strong magnet can attach to Iron surface

USB

USB output

L12-2002-9L

- Ⓟ 27W
- 💡 1800LM
- 🛡️ IP44
- ⏴ 5-6H
- 🕒 4-5H

Size & Weight

130*110*270mm/1070g

Beam Angle

60 Degree

CCT

6500K

Accessory

AC/DC adaptor (9V,2A)& 12/24V DC car charger

Other function

With USB output,With 4 strong magnet on the bottom

Working Mode

100% 50% SOS FLASH OFF

Battery Indicator

4 levels indicator

Battery

7.4V ,8800mAh

PCB protection

over-charging and over-discharging protection

L12-2002-16S

- Ⓟ 16W
- 💡 1200LM
- 🛡️ IP44
- ⏴ 5-6H
- 🕒 5-6H

Size & Weight

130*110*270mm & 1070g

Beam Angle

45 Degree

CCT

6500K

Accessory

AC/DC adaptor (9V,2A)& 12/24V DC car charger

Other function

With USB output,With 4 strong magnet on the bottom

Working Mode

100% 50% SOS FLASH OFF

Battery Indicator

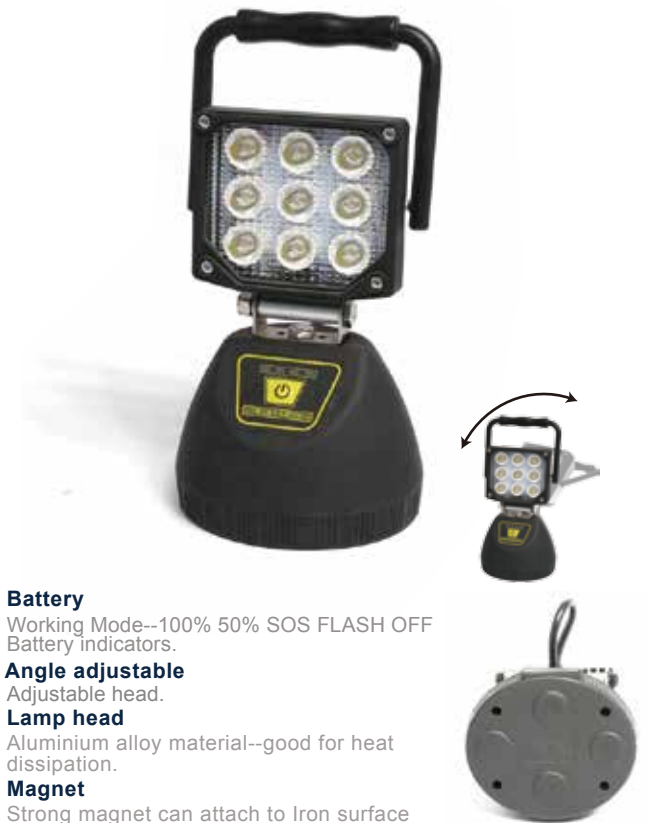
4 levels indicator

Battery

7.4V ,8800mAh

PCB protection

over-charging and over-discharging protection



Battery

Working Mode--100% 50% SOS FLASH OFF
Battery indicators.

Angle adjustable

Adjustable head.

Lamp head

Aluminium alloy material--good for heat dissipation.

Magnet

Strong magnet can attach to Iron surface

The handle

Ergonomics design--convenient to hold and good feeling.

USB

USB output



Battery

Working Mode--100% 50% SOS FLASH OFF
Battery indicators.

Angle adjustable

Adjustable head.

Lamp head

Aluminium alloy material--good for heat dissipation.

Magnet

Strong magnet can attach to Iron surface

The handle

Ergonomics design--convenient to hold and good feeling.

USB

USB output



Angle adjustable

Adjustable head.

Lamp head

Aluminium alloy material--good for heat dissipation.

Magnet

Flexible Magnetic base

L12-2002P-5L

P 15W

L 800LM

IP IP44

H 5-6H

T 3-4H

Size & Weight

97*65*361mm & 810g

Beam Angle

30° and 60° for optional

CCT

6500K

Accessory

AC/DC adaptor (9V,1.2A)& 12/24V DC car charger

Other function

With strong magnet on the bottom

Working Mode

ON/OFF

PCB protection

over-charging and over-discharging protection

Battery

Li-ion 7.4V ,4400mAh



Angle adjustable

Adjustable head.

Lamp head

Aluminium alloy material--good for heat dissipation.

Magnet

Flexible Magnetic base

L12-2002P-9L

P 27W

L 1200LM

IP IP44

H 5-6H

T 2-3H

Size & Weight

65*131*379mm & 900g

Beam Angle

30° and 60° for optional

CCT

6500K

Accessory

AC/DC adaptor (9V,1.2A)& 12/24V DC car charger.

Other function

With strong magnet on the bottom

Working Mode

ON/OFF

PCB protection

over-charging and over-discharging protection

Battery

Li-ion 7.4V ,4400mAh



L12-2003-15W

- 15W
- 2000LM
- IP65
- 5.5-6.5H
- 3H

Size & Weight

230*180*125mm & 1300g

Battery

3*3.7V ,2200mAh

Beam Angle

120 Degree

CCT

6500K

Accessory

AC/DC adaptor (5V 2A)

Other function

With USB output,

With strong magnet on the bracket,

360 degree rotatable bracket

Battery replacement

Working Mode

100% 50% SOS FLASH OFF

Battery Indicator

4 levels indicator

PCB protection

over-charging and over-discharging protection



Battery

Working Mode--100% 50% SOS FLASH OFF

Battery indicators.

Replaceable lithium-ion battery.

One battery for one hour.

Bracket

Flexible bracket.

Hanging hook function.

Magnet

Strong magnet can attach to Iron surface.

USB

USB output

L12-2003-10W

- 10W
- 1050LM
- IP65
- 4-5H
- 3H

Size & Weight

171.8*126.8*45.9mm & 445g

Battery

3.7V ,4400mAh

Beam Angle

120 Degree

CCT

6500K

Accessory

AC/DC adaptor(5V,1A) ,USB cable

Other function

With USB output,

With strong magnet on the hook,

Working Mode

100% 50% SOS FLASH OFF

Battery Indicator

4 levels indicator

PCB protection

over-charging and over-discharging protection



Battery

Working Mode--100% 50% SOS FLASH OFF

Battery indicators.

Bracket

Flexible bracket.

Magnet

Strong magnet can attach to Iron surface.

USB

USB input & output

Portable Task Light





L01-2008C-W

- 5W
- 600LM
- IP65
- 4-5H(5V,1A)
- 3.5H

Size & Weight
φ 82*65mm & 244g

RA
70
CCT
6500K

Accessory
optional(excluded)

Battery
3.7V ,4000mAh

Working Mode
100% 50% SOS FLASH OFF

Battery Indicator
with battery indicator

PCB protection
over-charging and discharging protection



Battery

Working Mode--100% 50% SOS FLASH OFF
Battery indicators.

Magnet

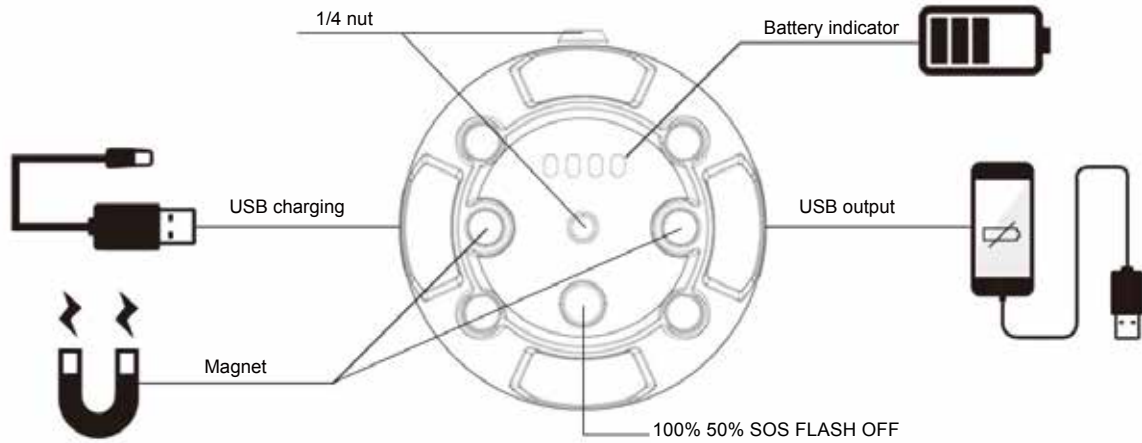
With magnetic base. Strong magnet can attach to Iron surface

USB

USB output

1/4 thread on both side and bottom

Can work with all the accessories with 1/4 screw.





Magnet

Magnet on the adjustable bracket.Strong magnet can attach to Iron surface.

Adjustable angle

Adjustable head.

Hanging butterfly hole

L01-2010

P 5W

L 250LM

H 5 H

T 8hrs for high power, over 11hrs for low power

Size & Weight

205x55x32mm & 244g

RA

70

CCT

6500K

Battery

3.7V ,4000mAh

Operation

High/low/off

Battery Indicator

1 pc indicator led

Accessory

AC/DC 5V,1000mA adaptor & DC car adaptor with USB output & USB cable(can be charged by USB output)

L01-2005C

P 2W COB, 20pcs red led,0.5W led

L 150LM/work light

IP IP44(Rain proof)

H 5-6.5 H

T COB/3H,LED/4H

Size & Weight

213x84x45mm & 238g

Battery

3.7V 2000mAh li-ionbattery

Multi-function

work light & flashlight & warning light & safety hammer & belt cutter

Working mode

OOB as work light, top led as torch, red led as warning light



Magnet

Magnet on the bottom.Strong magnet can attach to Iron surface.

Belt cutter

Safety hammer

Break the window to escape.



L01-2003C

Ⓟ 2W(COB)/8pcs*3528 SMD (camping lantern)

💡 COB/210LM,3528/90LM

⏱ 5-6.5H

🕒 COB/3 H,3528/5hours

Size & Weight

235*55*27mm & 170g

Battery

3.7V,2000mAh Li-ion battery

Multi-function

work light, camping light, hanging hook

Accessories

AC/DC 5V,500mA adaptor & DC car adaptor with USB output & USB cable(can be charged by USB output)



Multi-function

With magnet on the back & hook on the top

L01-2002C

Ⓟ 2W (COB)+1*3030led torch

💡 COB/200LM,3030/70LM

⏱ 5-6.5 H

🕒 3hrs for high power, 8hrs for low power

Size & Weight

190*50*37mm & 180g

Battery

3.7V,2000mAh Li-ion battery

Accessories

AC/DC 5V,500mA adaptor & DC car adaptor with USB output & USB cable(can be charged by USB output)

Multi-function

With magnet on the bottom and back & hook and clip on the back& flexible body&rubberized surface.

With battery indicator during charging and discharging



Magnet

Magnet on the bottom and back.Strong magnet can attach to Iron surface.

Flexible body



L01-2001C

- Ⓟ 2W(COB)+1*3030led torch
- 💡 5630/200LM,3030/70LM
- ⏱ 5-6.5H
- 🔋 5630/3.5H,3030/5H

Size & Weight
210*51*40mm & 260g

Battery
3.7V,2000mAh Li-ion battery

Multi-function
Work light & flashlight With magnet on the back & hook and clip on the back & with base & with rubberized surface

Accessories
AC/DC 5V,500mA adaptor & DC car adaptor with USB output & USB cable(can be charged by USB output)

Magnet
Magnet on the back.Strong magnet can attach to Iron surface.



L01-2083C

L01-2083A

L01-2083A

- Ⓟ 3*1WSMD+1WLED
- 💡 300LM
- ⏱ 5-6 H
- 🔋 3.5H

L01-2083C

- Ⓟ 3WCOB+1WLED
- 💡 300LM
- ⏱ 5-6H
- 🔋 3.5H

Size & Weight
55*45*290mm & 324g

Battery
3.7V4000mAh Li-ion battery

Material
ABS+PC

Accessories
AC/DC 5V,1000mA adaptor & DC car adaptor

Magnet
Magnet on the back.Strong magnet can attach to Iron surface.
Hook
Charging base

LED High Bay





140W



100W



80W

optional:



socket type with flat plate



socket type With cover

Built-in Driver design

Input current

L15-E39/E40-80W:
90V 0.85±0.05A
230V 0.32±0.05A
277V 0.3±0.05A

L15-E39/E40-100W:
90V 1.2±0.05A
230V 0.45±0.05A
277V 0.4±0.05A

L15-E39/E40-140W:
90V 1.5±0.05A
230V 0.6±0.05A
277V 0.5±0.05A

Power Factor

L15-E39/E40-80W:
90V 0.99
230V 0.96
277V 0.95

L15-E39/E40-100W:
90V 0.99
230V 0.96
277V 0.92

L15-E39/E40-140W:
90V 0.99
230V 0.97
277V 0.92

L15-E39/E40-140W

Ⓟ 140W

💡 21000LM

🛡️ IP62

⚡ AC 90-305V,50-60Hz

L15-E39/E40-100W

Ⓟ 100W

💡 15000LM

🛡️ IP62

⚡ AC 90-305V,50-60Hz

L15-E39/E40-80W

Ⓟ 80W

💡 12000LM

🛡️ IP62

⚡ AC 90-305V,50-60Hz

Size & Weight

socket type with flat plate:

L15-E39/E40-80W: φ228*300mm & 1.6KG±0.1
L15-E39/E40-100W:φ228*300mm & 1.6KG±0.1
L15-E39/E40-140W:φ268*300mm & 1.6KG±0.1

socket type With cover

L15-E39/E40-80W: φ228*347mm & 1.6KG±0.1
L15-E39/E40-100W:φ228*347mm & 1.6KG±0.1
L15-E39/E40-140W:φ268*347mm & 1.6KG±0.1

Chip

SSC 2835 SMD chip

CCT

5000K (2700K-6500K Optional)

Lighting efficiency

150LM/W

CRI

73

Beam Angle

110°,120°

Storag Temp.

-40 °C ~ 80 °C

Working Temp.

-30 °C ~ 50 °C

LED NO.s

L15-E39/E40-80W: 280pcs
L15-E39/E40-100W:420pcs
L15-E39/E40-140W:540pcs



L15-1002A-80W

- 80W
- 12,400LM
- IP65
- AC 90-305V,50-60Hz

L15-1002A-100W

- 100W
- 15,500LM
- IP65
- AC 90-305V,50-60Hz

L15-1002A-140W

- 140W
- 21,700LM
- IP65
- AC 90-305V,50-60Hz

L15-1002A-200W

- 200W
- 31,000LM
- IP65
- AC 90-305V,50-60Hz

Size & Weight

Hanging type with flat plate

- L15-1002A-80W: $\phi 228 \times 161\text{mm}$ & (3 \pm 0.1)KG
- L15-1002A-100W: $\phi 228 \times 161\text{mm}$ & (3 \pm 0.1)KG
- L15-1002A-140W: $\phi 268 \times 161\text{mm}$ & (3.7 \pm 0.1)KG
- L15-1002A-200W: $\phi 350 \times 161\text{mm}$ & (4.5 \pm 0.1)KG

Hanging type With cover

- L15-1002A-80W: $\phi 228 \times 208\text{mm}$ & (3 \pm 0.1)KG
- L15-1002A-100W: $\phi 228 \times 208\text{mm}$ & (3 \pm 0.1)KG
- L15-1002A-140W: $\phi 268 \times 208\text{mm}$ & (3.7 \pm 0.1)KG
- L15-1002A-200W: $\phi 350 \times 208\text{mm}$ & (4.5 \pm 0.1)KG

Flood type with flat plate

- L15-1002A-80W: $\phi 228 \times 282\text{mm}$ & (3 \pm 0.1)KG
- L15-1002A-100W: $\phi 228 \times 282\text{mm}$ & (3.7 \pm 0.1)KG
- L15-1002A-140W: $\phi 268 \times 282\text{mm}$ & (4.5 \pm 0.1)KG
- L15-1002A-200W: $\phi 350 \times 282\text{mm}$ & (5.5 \pm 0.1)KG

Flood type With cover

- L15-1002A-80W: $\phi 228 \times 328\text{mm}$ & (3 \pm 0.1)KG
- L15-1002A-100W: $\phi 228 \times 328\text{mm}$ & (3.7 \pm 0.1)KG
- L15-1002A-140W: $\phi 268 \times 328\text{mm}$ & (4.5 \pm 0.1)KG
- L15-1002A-200W: $\phi 350 \times 328\text{mm}$ & (5.5 \pm 0.1)KG

Chip

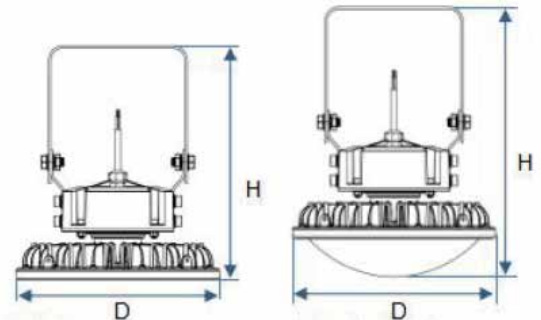
SSC 2835 SMD chip

CCT

5000K (2700K-6500K Optional)

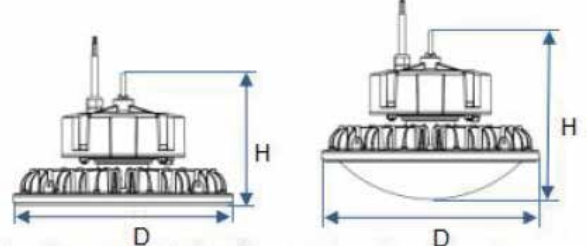
Lighting efficiency

155LM/W



flood type with flat plate

flood type with cover



Hanging type with flat plate

Hanging type with cover

Input current

- L15-1002A-80W:
90V 0.85 \pm 0.05A
230V 0.32 \pm 0.05A
277V 0.3 \pm 0.05A

- L15-1002A-100W:
90V 1.2 \pm 0.05A
230V 0.45 \pm 0.05A
277V 0.4 \pm 0.05A

- L15-1002A-140W:
90V 1.5 \pm 0.05A
230V 0.6 \pm 0.05A
277V 0.5 \pm 0.05A

- L15-1002A-200W:
90V 2.3 \pm 0.05A
230V 0.8 \pm 0.05A
277V 0.7 \pm 0.05A

Power Factor

- L15-1002A-80W:
90V 0.99
230V 0.96
277V 0.95

- L15-1002A-100W:
90V 0.99
230V 0.96
277V 0.92

- L15-1002A-140W:
90V 0.99
230V 0.97
277V 0.92

- L15-1002A-200W:
90V 0.99
230V 0.97
277V 0.9

CRI

73

Beam Angle

110°, 120°

Storage Temp.

-40 °C ~ 80 °C

Working Temp.

-30 °C ~ 50 °C

LED NO.s

- L15-1002A-80W: 310pcs
- L15-1002A-100W: 445pcs
- L15-1002A-140W: 620pcs
- L15-1002A-200W: 775pcs

Driverless Slim Flood Light





L10-1009-10W

P 10W

800LM

IP65

AC 220V-240V, 50/60HZ

Size & Weight

135*25*115mm & 298g

Chip

30pcs 2835 SMD chip

Beam Angle

120 degree

CCT

3000K-6500K

RA

> 70

PF

0.9

cable

With 0.3m H05RNF3*1.0mm² cable

color

Black or optional individual color

Packing style

white box/color box

Packing data

ctn size: 32*16*26CM, 20pcs/ctn

G.W/N.W: 8/6kg



Voltage fluctuation Protection

Add a currents sensor to PCB to protect the products from the damage of the voltage fluctuation.

Optional Bracket

Bracket is available. Can work as the portable work light.

L10-1009-20W

P 20W

1600LM

IP65

AC 220V-240V, 50/60HZ

Size & Weight

180*35*150mm & 595g

Chip

60pcs 2835 SMD chip

Beam Angle

120 degree

CCT

3000K-6500K

RA

> 70

PF

0.9

cable

With 0.3m H05RNF3*1.0mm² cable

color

Black or optional individual color

Packing style

white box/color box

Packing data

ctn size: 42*19*33CM, 20pcs/ctn

G.W/N.W: 14/12kg



Voltage fluctuation

Add a currents sensor to PCB to protect the products from the damage of the voltage fluctuation.

Optional Bracket

Bracket is available. Can work as the portable work light.



Voltage fluctuation

Add a currents sensor to PCB to protect the products from the damage of the voltage fluctuation.

Optional Bracket

Bracket is available. Can work as the portable work light.

L10-1009-30W

- 30W
- 2400LM
- IP65
- AC 220V-240V, 50/60HZ

Size & Weight
215*35*175mm & 866g
Chip
90pcs 2835 SMD chip
Beam Angle
120 degree
CCT
3000K-6500K
RA
>70
PF
0.9
cable
With 0.3m H05RNF3*1.0mm² cable
color
Black or optional individual color
Packing style
white box/color box
Packing data
ctn size:42*23.5*20CM, 10pcs/ctn,
G.W/N.W:11/9kg

L10-1009-50W

- 50W
- 4000LM
- IP65
- AC 220V-240V, 50/60HZ

Size & Weight
235*40*195mm & 1120g
Chip
150pcs 2835 SMD chip
Beam Angle
120 degree
CCT
3000K-6500K
RA
>70
PF
0.9
cable
With 0.3m H05RNF3*1.0mm² cable
color
Black or optional individual color
Packing style
white box/color box
Packing data
ctn size:47*25.5*21.5CM, 10pcs/ctn,
G.W/N.W:14/11kg



Voltage fluctuation

Add a currents sensor to PCB to protect the products from the damage of the voltage fluctuation.

Optional Bracket

Bracket is available. Can work as the portable work light.



L10-1009-100W

P 100W

8000LM

IP65

AC 220V-240V, 50/60HZ

Size & Weight

295*40*235mm & 1900g

Chip

270pcs 2835 SMD chip

Beam Angle

120 degree

CCT

3000K-6500K

RA

>70

PF

0.9

cable

With 0.3m H05RNF3*1.0mm² cable

color

Black or optional individual color

Packing style

white box/color box

Packing data

ctn size:29*31.5*25.5CM,6pcs/ctn

G.W/N.W:12/11kg



Voltage fluctuation

Add a currents sensor to PCB to protect the products from the damage of the voltage fluctuation.

Optional Bracket

Bracket is available. Can work as the portable work light.

L10-1009S-10W

P 10W

800LM

IP65

AC 220V-240V, 50/60HZ

Size & Weight

135*55*170mm & 396g

Chip

30pcs 2835 SMD chip

Beam Angle

120 degree

Detection angle

120 degree

CCT

3000K-6500K

RA

>70

PF

0.9

cable

With 0.3m H05RNF3*1.0mm² cable

color

Black or optional individual color

Packing style

white box/color box

Packing data

ctn size:58*19*32CM,20pcs/ctn,

G.W/N.W:10/8kg



Adjustable sensor

With sensor.

SENS:2m-10m

TIME:30s-9min

LUX:2lux-2000lux

Voltage fluctuation

Add a currents sensor to PCB to protect the products from the damage of the voltage fluctuation.



Adjustable sensor

With sensor.

SENS:2m-10m

TIME:30s-9min

LUX:2lux-2000lux

Voltage fluctuation

Add a currents sensor to PCB to protect the products from the damage of the voltage fluctuation.

L10-1009S-20W

P20W

1600LM

IP65

AC 220V-240V,50/60HZ

Size & Weight

180*55*205mm & 684g

Chip

60pcs 2835 SMD chip

Beam Angle

120 degree

Detection angle

120 degree

CCT

3000K-6500K

RA

> 70

PF

0.9

Cable

With 0.3m H05RNF3*1.0mm² cable

Color

Black or optional individual color

Packing style

white box/color box

Packing data

ctn size:39*22.5*32CM,10pcs/ctn,

G.W/N.W:8/7kg



Adjustable sensor

With sensor.

SENS:2m-10m

TIME:30s-9min

LUX:2lux-2000lux

Voltage fluctuation

Add a currents sensor to PCB to protect the products from the damage of the voltage fluctuation.

L10-1009S-30W

P30W

2400LM

IP65

AC 220V-240V,50/60HZ

Size & Weight

215*55*230mm & 970g

Chip

90pcs 2835 SMD chip

Beam Angle

120 degree

Detection angle

120 degree

CCT

3000K-6500K

RA

> 70

PF

0.9

Cable

With 0.3m H05RNF3*1.0mm² cable

Color

Black or optional individual color

Packing style

white box/color box

Packing data

ctn size:46*25*32CM,10pcs/ctn,

G.W/N.W:12/10kg



L10-1009S-50W

P 50W

4000LM

IP65

AC 220V-240V,50/60HZ

Size & Weight

235*55*250mm & 1220g

Chip

150pcs 2835 SMD chip

Beam Angle

120 degree

Detection angle

120 degree

CCT

3000K-6500K

RA

>70

PF

0.9

Cable

With 0.3m H05RNF3*1.0mm² cable

Color

Black or optional individual color

Packing style

white box/color box

Packing data

ctn size:38*25.5*27CM,20pcs/ctn,

G.W/N.W:8/7kg



Adjustable sensor

With sensor.

SENS:2m-10m

TIME:30s-9min

LUX:2lux-2000lux

Voltage fluctuation

Add a currents sensor to PCB to protect the products from the damage of the voltage fluctuation.

L10-1009S-100W

P 100W

8000LM

IP65

AC 220V-240V,50/60HZ

Size & Weight

295*55*285mm & 2000g

Chip

270pcs 2835 SMD chip

Beam Angle

120 degree

Detection angle

120 degree

CCT

3000K-6500K

RA

>70

PF

0.9

Cable

With 0.3m H05RNF3*1.0mm² cable

Color

Black or optional individual color

Packing style

white box/color box

Packing data

ctn size:29*31.5*25.5CM,6pcs/ctn,

G.W/N.W:12/11kg



Adjustable sensor

With sensor.

SENS:2m-10m

TIME:30s-9min

LUX:2lux-2000lux

Voltage fluctuation

Add a currents sensor to PCB to protect the products from the damage of the voltage fluctuation.

PIR Motion Sensor Flood Light





L10-1005S-10W

- 10W
- 800LM
- IP65
- AC175-265V, 50/60Hz

L10-1005S-30W

- 30W
- 2400LM
- IP65
- AC175-265V, 50/60Hz

L10-1005S-50W

- 50W
- 4000LM
- IP65
- AC175-265V, 50/60Hz



Size & Weight

L10-1005S-10W:135*102*27mm & 450g

L10-1005S-30W:200*155*38mm & 1200g

L10-1005S-50W:280*215*60mm & 2400g

Chip

Epistar chip

Beam Angle

120 degree

CCT

3000K-6500K

RA

> 70

Cable

W/ 30cm 3G1.0mm² cable

Material

Alu+toughened glass

Installation height

2-3m

Static consumption

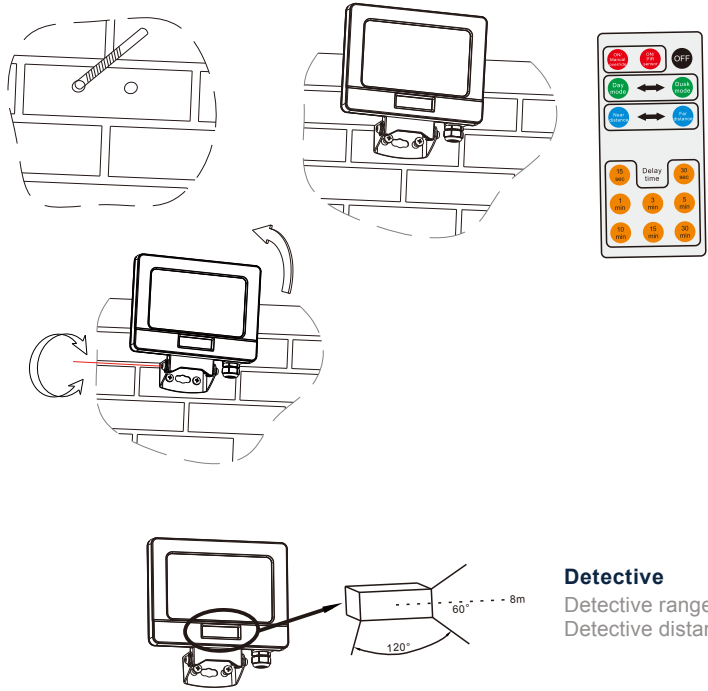
Approx 0.6W Day/Night mode

Certificates

CE ROHS ,TUV GS ,SAA

Warranty period

2 year warranty



Detective

Detective range:180°
Detective distance: 8m (Radius)

Flood Light



L16-1001-480W

- P** 480W
- 67200LM
- AC120~277V/AC200-420V
- Seoul 3030 or Osram3535
- IP67

L16-1001-720W

- P** 720W
- 100800LM
- AC120~277V/AC200-420V
- Seoul 3030 or Osram3535
- IP67

L16-1001-1080W

- P** 1080W
- 151200LM
- AC120~277V/AC200-420V
- Seoul 3030 or Osram3535
- IP67

Size & Weight

Hanging type with flat plate

L16-1001-480W:523x330x360mm & 17±0.5kg

L16-1001-720W:523x486x360mm & 21±0.5kg

L16-1001-1080W:643x643x360mm & 27±0.5kg

Flood type with flat plate

L16-1001-480W:523x330x602mm & 23.6±0.5kg

L16-1001-720W:523x486x602mm & 24.6±0.5kg

L16-1001-1080W:643x643x602mm & 30.6±0.5kg

Meanwell Power Driver

L16-1001-480W:HLG-320H-48A*2

L16-1001-720W:HLG-320H-48A*3

L16-1001-1080W:HLG-320H-48A*4

Input Voltage

AC 90-305V

Power Factor

0.97

CCT

5000K Optional

Surge Protection

L-N : 15KV ,L/N-PE : 30KV

CRI

73

Storage Temp.

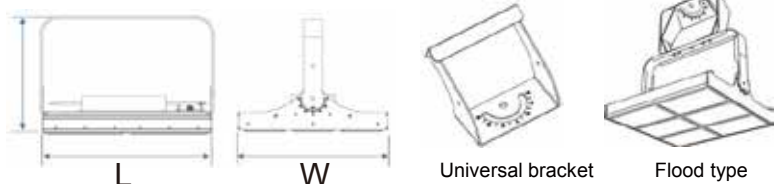
-40 C ~ 80 C

Working Temp.

-30 C ~ 50 C

Warranty period

5 years warranty



Feature

Die-cast housing, durable powder coat finish.
Fixture head pivots fully up to 90° from mounting plane.
Hands-Free Mounting.

Lighting efficiency

135LM/W (with Osram chip), 140LM/W (with Seoul chip)

Packing Details (Carton Size)

L16-1001-480W:L585*W610*H240mm,G.W/N.W: 23.6/20kg

L16-1001-720W:L585*W610*H240mm,G.W/N.W: 27.6/24kg

L16-1001-1080W:L725*W725*H240mm,G.W/N.W:33.6/30kg

Beam Angle

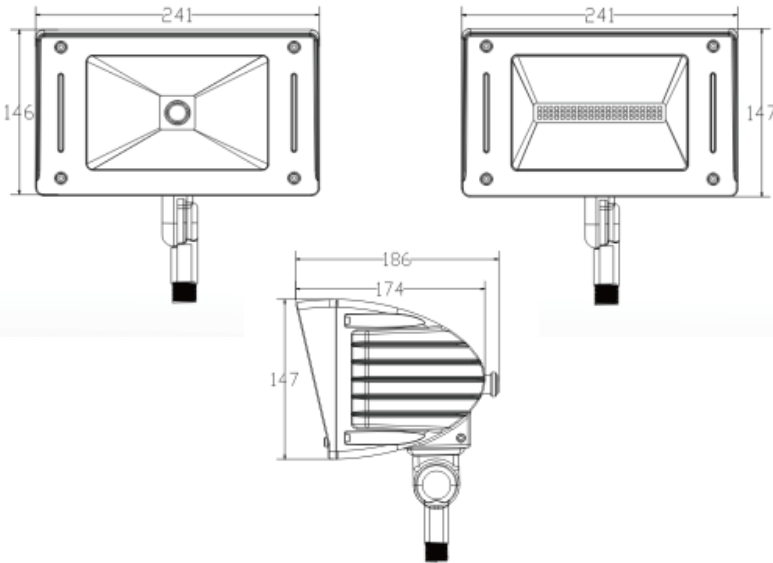
12°(with 3535 Osram),30°(with 3535 Osram),

60°(with 3030 Seoul),120°(with 3030 Seoul)



20W/40WCOB

30W/50WSMD



Feature

Die cast aluminum body with integrated heat sinking to maximize performance and long fixture life.
 Typical applications include general area lighting, facade, landscape as well as signage or displays.

Lighting efficiency

L17-1002-20WCOB:110lm/W
 L17-1002-30WSMD:120lm/W
 L17-1002-40WCOB:110lm/W
 L17-1002-50WSMD:120lm/W

L16-1002-20W-C

- Ⓟ 20W
- 💡 2200LM
- ⚠️ AC120-277V
- 🔌 CITIZEN COB

L16-1002-30W-S

- Ⓟ 30W
- 💡 3600LM
- ⚠️ AC120-277V
- 🔌 PHILIPS SMD

L16-1002-40W-C

- Ⓟ 40W
- 💡 4400LM
- ⚠️ AC120-277V
- 🔌 CITIZEN COB

L16-1002-50W-S

- Ⓟ 50W
- 💡 6000LM
- ⚠️ AC120-277V
- 🔌 PHILIPS SMD

- Size
241*146*186mm
- Power Factor
>0.9
- CCT
5000K (4000K Optional)
- Beam Angle
140°
- CRI
70(80 As Option)
- Certificates
UL & cUL & DLC
- Warranty period
5 years warranty
- Packing Details (Carton Size)
28.5*18.5*15cm



L16-1002-80W-C

P 80W

L 8800LM

A AC120-277V

C CITIZEN COB

Size
319*204*254mm
Power Factor
>0.9
CCT
5000K (4000K Optional)
Beam Angle
140°
CRI
70(80 As Option)
Certificates
UL & cUL & DLC
Warranty period
5 years warranty
Packing Details (Carton Size)
36*24.5*20cm
Lighting efficiency
110lm/W



Feature

Die cast aluminum body with integrated heat sinking to maximize performance and long fixture life.
Typical applications include general area lighting, facade, landscape as well as signage or displays.

L16-1002-95W-S

P 95W

L 12000LM

A AC120-277V

C PHILIPS SMD

Size
319*204*254mm
Power Factor
>0.9
CCT
5000K (4000K Optional)
Beam Angle
140°
CRI
70(80 As Option)
Certificates
UL & cUL & DLC
Warranty period
5 years warranty
Packing Details (Carton Size)
36*24.5*20cm
Lighting efficiency
120lm/W



Die cast aluminum body with integrated heat sinking to maximize performance and long fixture life.
Typical applications include general area lighting, facade, landscape as well as signage or displays.



120W

160W



Feature

Die cast aluminum body with integrated heat sinking to maximize performance and long fixture life.

Typical applications include general area lighting, facade, landscape as well as signage or displays.

Certificates

UL & cUL & DLC

Warranty period

5 years warranty

Lighting efficiency

110lm/W

Packing Details (Carton Size)

37.5*37*17.5cm



Feature

Die cast aluminum body with integrated heat sinking to maximize performance and long fixture life.

Typical applications include general area lighting, facade, landscape as well as signage or displays.

L16-1002-120W-C

Ⓟ 120W

💡 13200LM

⚠️ AC120-277V

🔌 CITIZEN COB

L16-1002-160W-C

Ⓟ 160W

💡 16500LM

⚠️ AC120-277V

🔌 CITIZEN COB

Size

431*245*278mm

Power Factor

>0.9

CCT

5000K (4000K Optional)

Beam Angle

140°

CRI

70(80 As Option)

L16-1002-153W-S

Ⓟ 130W

💡 18360LM

⚠️ AC120-277V

🔌 PHILIPS SMD

Size

431*245*278mm

Power Factor

>0.9

CCT

5000K (4000K Optional)

Beam Angle

140°

CRI

70(80 As Option)

Certificates

UL & cUL & DLC

Warranty period

5 years warranty

Packing Details (Carton Size)

48*32.5*25cm

Lighting efficiency

120lm/W



L16-1003D-40W

P 40W

L 3900LM

A AC100-277V/347V

C CITIZEN COB

Size

φ255*379mm

Power Factor

>0.9

CCT

5000K (4000K Optional)

Beam Angle

140°

CRI

70(80 As Option)

Certificates

UL & cUL & DLC

Warranty period

5 years warranty

Packing Details (Carton Size)

42*30*15cm



Feature

Die-cast aluminum housing, durable powder coat finish.
Prismatic polycarbonate diffuser.
CITIZEN COB technology.

L16-1003G-40W

P 40W

L 4100LM

A AC100-277V/347V

C CITIZEN COB

Size

φ255*195mm

Power Factor

>0.9

CCT

5000K (4000K Optional)

Beam Angle

140°

CRI

70(80 As Option)

Certificates

UL & cUL & DLC

Warranty period

5 years warranty

Packing Details (Carton Size)

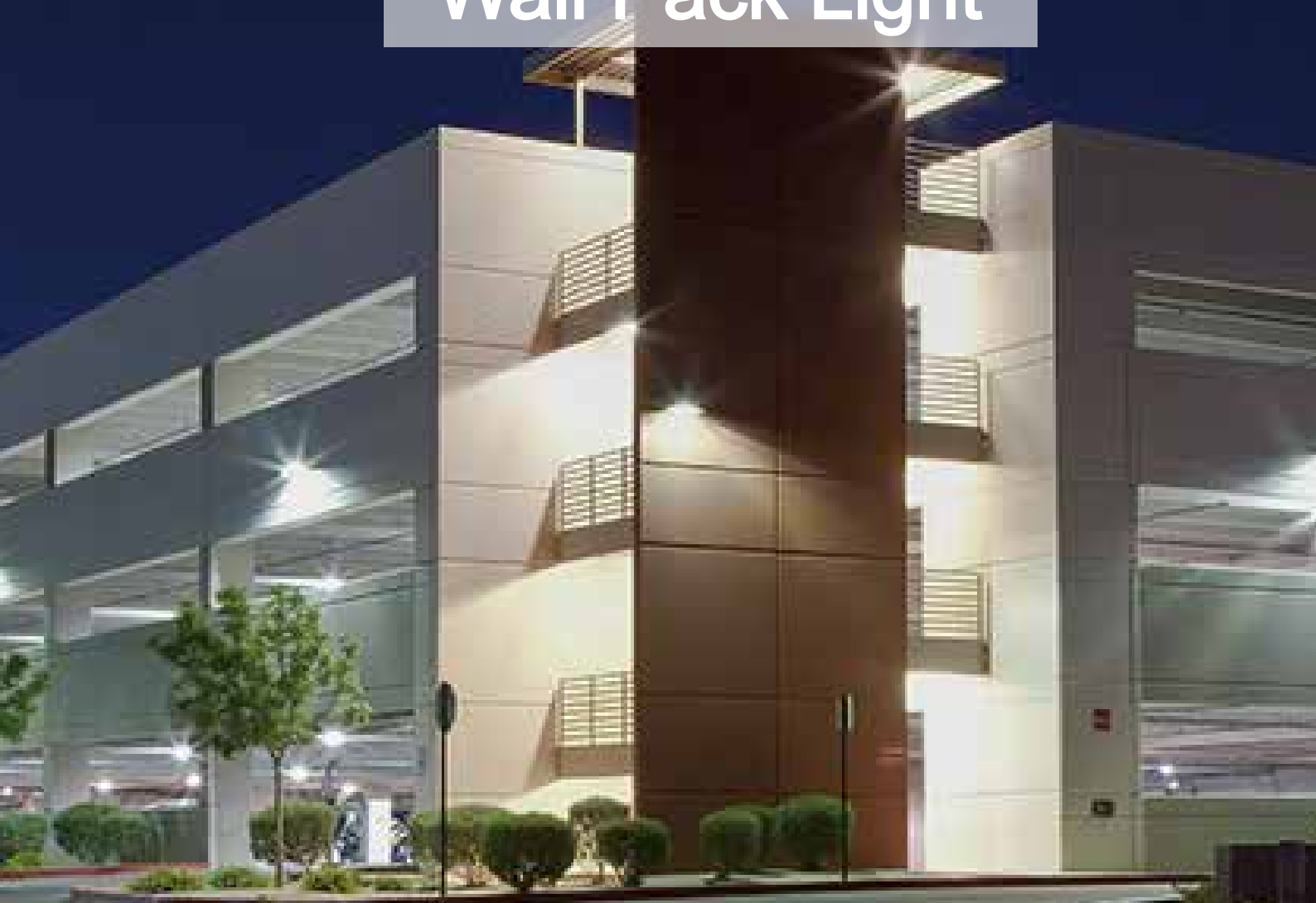
42*30*10cm



Feature

Die-cast aluminum housing, durable powder coat finish.
With aluminum door frame,
With Tempered glass lens and with Twist-Lock Photocell
Without 24" steel tube.

Wall Pack Light





L17-1001-20W-C

- 20W
- 2200LM
- AC120-277V, 50-60HZ.
- CITIZEN COB



20W/40W COB

L17-1001-30W-S

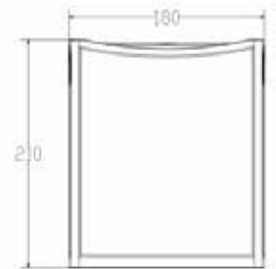
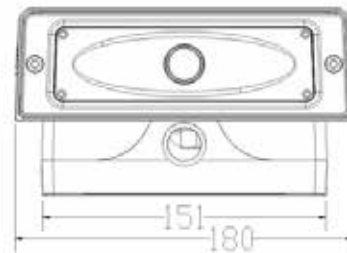
- 30W
- 3600LM
- AC120-277V, 50-60HZ.
- PHILIPS SMD

30W/50W SMD



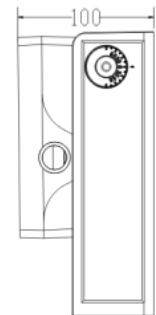
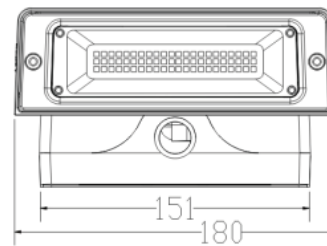
L17-1001-40W-C

- 40W
- 4400LM
- AC120-277V, 50-60HZ.
- CITIZEN COB



L17-1001-50W-S

- 50W
- 6000LM
- AC120-277V, 50-60HZ.
- PHILIPS SMD



- Size
180*210*100mm
- Power Factor
>0.9
- CCT
5000K (4000K Optional)
- Beam Angle
140°
- CRI
70(80 As Option)
- Certificates
UL & cUL & DLC
- Warranty period
5 years warranty
- Packing Details (Carton Size)
22*18.5*13.5cm

Feature

Die-cast housing, durable powder coat finish.
Fixture head pivots fully up to 90° from mounting plane.
Hands-Free Mounting.

Lighting efficiency

- L17-1001-20WCOB:110lm/W
- L17-1001-30WSMD:120lm/W
- L17-1001-40WCOB:110lm/W
- L17-1001-50WSMD:120lm/W



Feature

Die-cast housing, durable powder coat finish.
 Fixture head pivots fully up to 90° from mounting plane.
 Hands-Free Mounting.

L17-1001-80W-C

P 80W

💡 8800LM

⚠️ AC120-277V, 50-60HZ.

🔌 CITIZEN COB

Size

288*289*122mm

Power Factor

>0.9

CCT

5000K (4000K Optional)

Beam Angle

140°

CRI

70(80 As Option)

Certificates

UL & cUL & DLC

Warranty period

5 years warranty

Packing Details (Carton Size)

31.5*32.5*15.5cm

Lighting efficiency

110lm/W



Feature

Die-cast housing, durable powder coat finish.
 Fixture head pivots fully up to 90° from mounting plane.
 Hands-Free Mounting.

L17-1001-95W-S

P 95W

💡 12000LM

⚠️ AC120-277V, 50-60HZ.

🔌 PHILIPS SMD

Size

288*289*122mm

Power Factor

>0.9

CCT

5000K (4000K Optional)

Beam Angle

140°

CRI

70(80 As Option)

Certificates

UL & cUL & DLC

Warranty period

5 years warranty

Packing Details (Carton Size)

31.5*32.5*15.5cm

Lighting efficiency

120lm/W



L17-1001-120W-C

P 120W

L 13200LM

A AC120-277V, 50-60HZ.

C CITIZEN COB

Size

330*332*134mm

Power Factor

>0.9

CCT

5000K (4000K Optional)

Beam Angle

140°

CRI

70(80 As Option)

Certificates

UL & cUL & DLC

Warranty period

5 years warranty

Packing Details (Carton Size)

37.5*37*17.5cm

Lighting efficiency

110lm/W



Feature

Die-cast housing, durable powder coat finish.

Fixture head pivots fully up to 90° from mounting plane.

Hands-Free Mounting.

L17-1001-130W-S

P 130W

L 15600LM

A AC120-277V, 50-60HZ.

C PHILIPS SMD

Size

330*332*134mm

Power Factor

>0.9

CCT

5000K (4000K Optional)

Beam Angle

140°

CRI

70(80 As Option)

Certificates

UL & cUL & DLC

Warranty period

5 years warranty

Packing Details (Carton Size)

37.5*37*17.5cm

Lighting efficiency

120lm/W



Feature

Die-cast housing, durable powder coat finish.

Fixture head pivots fully up to 90° from mounting plane.

Hands-Free Mounting.



Certificates
UL & cUL & DLC
Warranty period
5 years warranty

Packing Details (Carton Size)
40*28*35cm
Lighting efficiency
110lm/W



Feature
Die-cast aluminum housing, durable powder coat finish.
Prismatic borosilicate glass lens.
Philips lumileds LED's technology

Size
238*470*230mm
Power Factor
>0.9
CCT
4000-5000K
Beam Angle
140°
CRI
70(80 As Option)

Certificates
UL & cUL & DLC
Warranty period
5 years warranty
Packing Details (Carton Size)
40*28.5*24.5cm
Lighting efficiency
110lm/W

L17-1002-40W

P 40W
4400LM
AC120-277V, 50-60HZ.
Philips Lumileds

L17-1002-60W

P 60W
6600LM
AC120-277V, 50-60HZ.
Philips Lumileds

Size
213*360*213mm
Power Factor
>0.9
CCT
5000K (4000K Optional)
Beam Angle
140°
CRI
70(80 As Option)

L17-1003-40W

P 40W
4400LM
AC120-277V, 50-60HZ.
Philips Lumileds

L17-1003-60W

P 60W
6900LM
AC120-277V, 50-60HZ.
Philips Lumileds

L17-1003-90W

P 90W
9900LM
AC120-277V, 50-60HZ.
Philips Lumileds



L17-1003-100W

- 100W
- 11000LM
- AC120-277V, 50-60HZ.
- Philips Lumileds

L17-1003-120W

- 120W
- 13200LM
- AC120-277V, 50-60HZ.
- Philips Lumileds

L17-1003-150W

- 150W
- 16500LM
- AC120-277V, 50-60HZ.
- Philips Lumileds



Feature

Die-cast aluminum housing, durable powder coat finish.
Prismatic borosilicate glass lens.
Philips lumileds LED's technology

Size	CRI
238*470*230mm	70(80 As Option)
Power Factor	Certificates
>0.9	UL & cUL & DLC
CCT	Warranty period
4000-5000K	5 years warranty
Beam Angle	Packing Details (Carton Size)
140°	49.5*28*29cm
	Lighting efficiency
	110lm/W

L17-1004-30W

- 30W
- 3300LM
- AC120-277V, 50-60HZ.
- Philips Lumileds

- Size
- 235*214*222mm
- Power Factor
- >0.9
- CCT
- 5000K (4000K Optional)
- Beam Angle
- 140°
- CRI
- 70(80 As Option)
- Certificates
- UL & cUL & DLC
- Warranty period
- 5 years warranty
- Packing Details (Carton Size)
- 48*32.5*25cm
- Lighting efficiency
- 110lm/W



Feature

Die-cast aluminum housing, durable powder coat finish.
Prismatic polycarbonate lens.
Philips lumileds LED's technology.
Easy installation with hand free mounting.



Feature

Die-cast aluminum housing, durable powder coat finish.
Prismatic polycarbonate diffuser.
CITIZEN COB technology.

L17-1005-40W

- 40W
- 4800LM
- AC100-277V/347V
- CITIZEN COB

Size
270*180*300mm
Power Factor
>0.9
CCT
5000K (4000K Optional)
Beam Angle
140°
CRI
70(80 As Option)
Certificates
UL & cUL & DLC
Warranty period
5 years warranty
Packing Details (Carton Size)
25*25*25cm
Lighting efficiency
120lm/W



Feature

Die-cast aluminum base, durable powder coat finish.
Frosted or Clear UV stabilized polycarbonate Diffuser
Philips lumileds LED's technology

Certificates
UL & cUL & DLC
Warranty period
5 years warranty

Packing Details (Carton Size)
18*14.2*28cm
Lighting efficiency
100lm/W

L17-1006-15W

- 15W
- 1500LM
- AC120-277V, 50-60HZ.
- Philips Lumileds

L17-1006-25W

- 25W
- 2500LM
- AC120-277V, 50-60HZ.
- Lumileds LED chips

Size
183*229*71mm
Power Factor
>0.9
CCT
5000K (4000K Optional)
Beam Angle
140°
CRI
70(80 As Option)

Canopy Light





Working Temperature
-20 - 40 °C
IP grade
IP54
Warranty period
3 years warranty
Lighting efficiency
125lm/W

Accessory
Sensor
Installation
Surface-mounted, NPT,
pole-mounted
Lifespan
40,000H



Size
L17-1004-40W:230*230*100mm
L17-1004-60W:325*325*150mm
L17-1004-80W:325*325*150mm
Power Factor
>0.9
CCT
4000-5000K
Beam Angle
140°
CRI
70(80 As Option)

Certificates
UL & cUL & DLC
Warranty period
5 years warranty
Packing Details (Carton Size)
L17-1004-40W:23*23*10cm
L17-1004-60W:32.5*32.5*15cm
L17-1004-80W:32.5*32.5*15cm
Lighting efficiency
L17-1004-40W:110lm/W
L17-1004-60W:115lm/W
L17-1004-80W:115lm/W

L18-1001-40W

Ⓟ 40W
💡 5000LM
⚡ AC100-277V
🔦 Nichia 757G-V1

L18-1001-60W

Ⓟ 60W
💡 7500LM
⚡ AC100-277V
🔦 Nichia 757G-V1

Size & Weight
L18-1001-40W:φ290*114mm & 1.8KG
Power Factor
>0.9
CCT
3000/4000/5000/5700K
Beam Angle
160°
CRI
Ra80

L18-1002-40W

Ⓟ 40W
💡 4400LM
⚡ AC120-277V, 50-60HZ.
🔦 Philips Lumileds

L18-1002-60W

Ⓟ 60W
💡 6900LM
⚡ AC120-277V, 50-60HZ.
🔦 Philips Lumileds

L18-1002-80W

Ⓟ 80W
💡 9200LM
⚡ AC120-277V, 50-60HZ.
🔦 Philips Lumileds



L18-1003-60W

- 60W
- 6900LM
- AC120-277V, 50/60Hz
- Philips Lumileds

L18-1003-80W

- 80W
- 9200LM
- AC120-277V, 50/60Hz
- Philips Lumileds

- Size
φ378*259mm
- Power Factor
>0.9
- CCT
4000-5000K
- Beam Angle
140°
- CRI
70(80 As Option)



Feature
Die-cast aluminum housing, durable powder coat finish.
Prismatic polycarbonate lens.
Philips lumileds LED's technology.
Easy installation with hand free mounting.
Without Photocell

Certificates
UL & cUL & DLC
Warranty period
5 years warranty

Lighting efficiency
115lm/W

Packing Details (Carton Size)
41*41*30cm

L18-1004-40W

- 40W
- 4400LM
- AC120-277V, 50/60Hz
- Philips Lumileds

L18-1004-60W

- 60W
- 6600LM
- AC120-277V, 50/60Hz
- Philips Lumileds

L18-1004-90W

- 90W
- 9900LM
- AC120-277V, 50/60Hz
- Philips Lumileds



Feature
Die-cast aluminum housing, durable powder coat finish.
Prismatic polycarbonate lens.
Philips lumileds LED's technology.
Easy installation with hand free mounting.

Size
L18-1004-40W:226*226*185mm
L18-1004-60W:315*315*224mm
L18-1004-90W:315*315*224mm

Power Factor
>0.9

CCT
5000K (4000K Optional)

Beam Angle
140°

Lighting efficiency
110lm/W

Packing Details (Carton Size)
L18-1004-40W:48*32.5*25cm
L18-1004-60W:32*32*24cm
L18-1004-90W:32*32*24cm

CRI
70(80 As Option)

Certificates
UL & cUL & DLC

Warranty period
5 years warranty



More Than 10 Years Experience For Rechargeable LED Lighting Products
Always Focus On The New Concept Application
ODM&OEM Cooperation welcomed

LUCOH
LIGHTING PRODUCTS

Office Add:Rm.,1401,No.4 BLDG.,Huacai Centre,No.567 Dengcai Street, Sandum,
Hangzhou, Zhejiang, China.
Jiande Factory Add:NO.106-5,Dongmen Street,Meicheng Town,Jiande City,Hangzhou,China.
E-mail:sales@lucoh.com Young@lucoh.com
Tel:+86-571-87114761 Fax:+86-571-87114571
<http://www.lucoh.com> <http://lucohproducts.en.made-in-china.com/>