

INDUSTRIAL

NOTE

SITE LIGHT

Head Office

Tel:+86-571-87114761

Fax:+86-571-87114571

Email: sales@lucoh.com

Office:Rm.,1202,A2 BLDG.,Qimeng High-TechPark, 1899
Gudun Rd.,Yuhang,Hangzhou,Zhejiang,China 311100.

<http://www.lucoh.com>

Factory Add1:No.5-1, Lingyun Road, Sandu Industrial park,
Sandu Town, Jiande City, China.

Factory Add2:Chalu Industry Park Ninghai, Ningbo City,China.

SALUTE THE WORKERS WHO WORK IN THE DARK

ODM&OEM Cooperation welcomed

More Than 10 Years Experience For Rechargeable LED Lighting Products

LUCOH

LUCOH®



LUCOH is a leading manufacturer and supplier of portable battery industrial light, solar street light and etc. In the past 10 years, LUCOH has been providing the very best products at the most challenging job-sites. And we have built our reputation on providing customers with safe, reliable and dependable lighting in the high demanding applications.

As LUCOH is famous for the portable battery industrial lighting brand in EU, Japan and North U.S market. At 2021, We removed some products line from LUCOH, such as solar lighting system, industrial light, street light, portable power and intelligent lighting system and create a new brand of SOLARACE. And also built a new factory cover 30,000 square meters in Ningbo area to enlarge our facility. We think with the effort with our business partner, SOLARACE also will be professional brand for solar system, portable power, home storage power and intelligent lighting and power system in the future.

TEL:+86-571-87114761
FAX:+86-571-87114571
E-mail:sales@lucoh.com
Web:www.lucoh.com

COMPANY INTRODUCTION



COMPANY INTRODUCTION



VORTEX

NEW PRODUCT

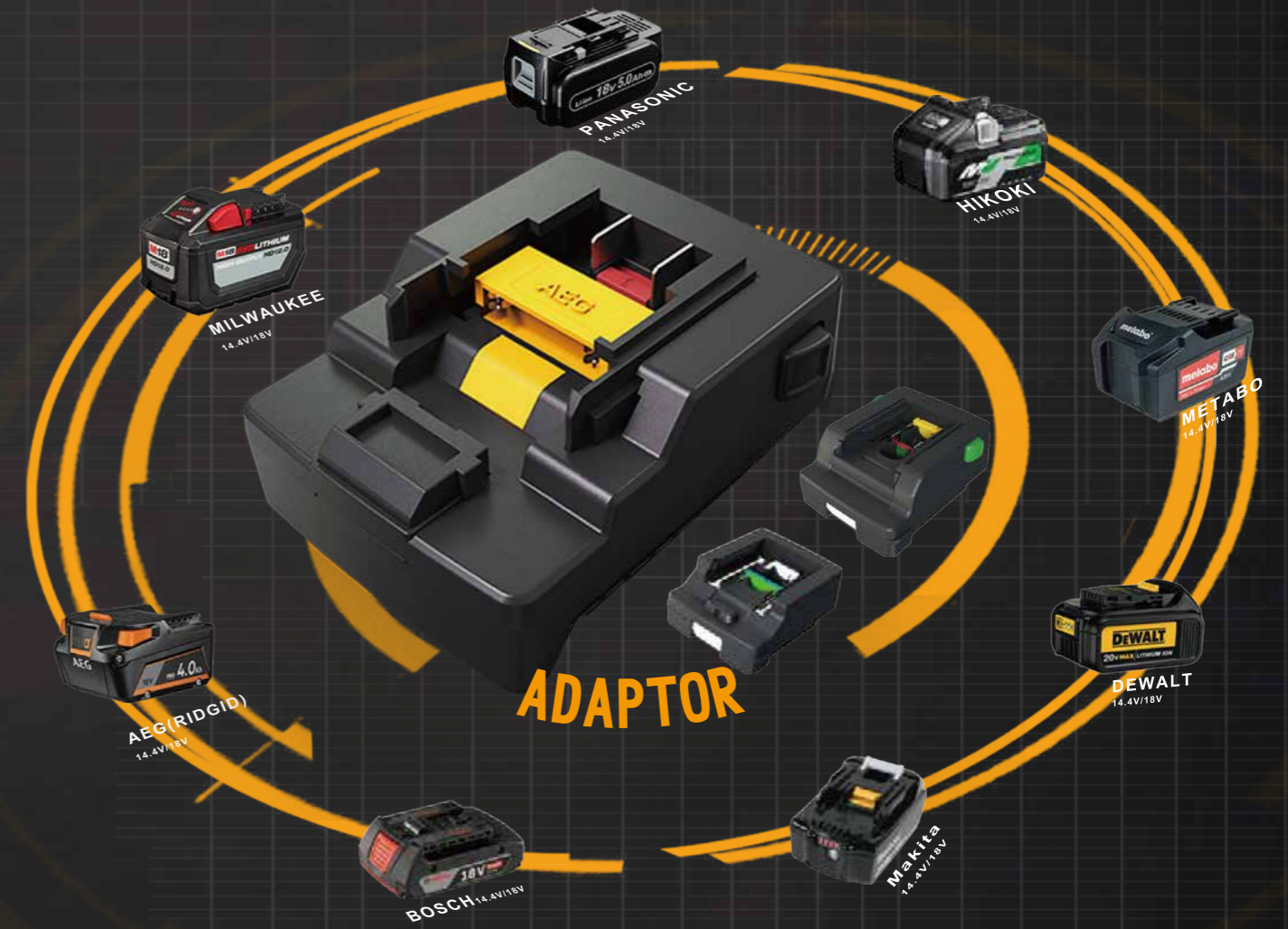


BAYMAX

G2040/2040



TRANSFORM ADAPTOR



Multi-Adaptor

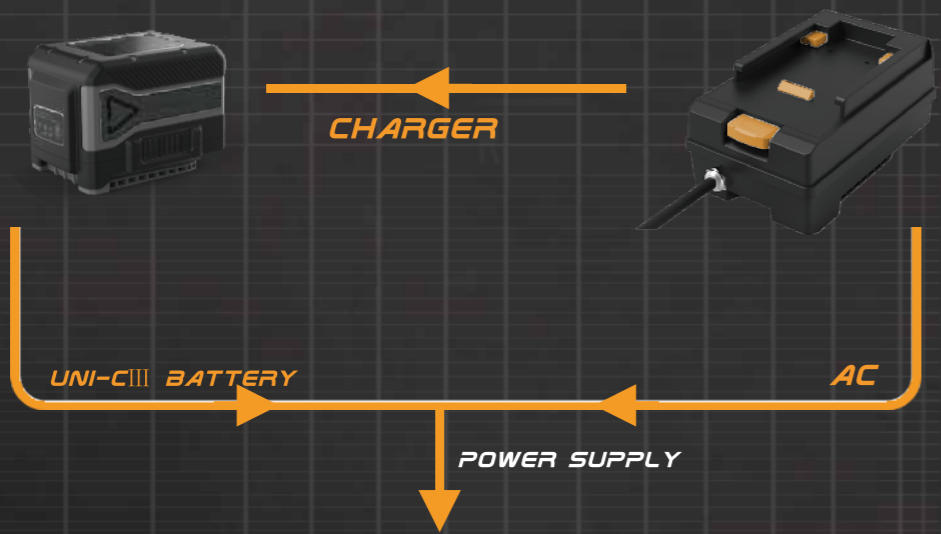
Matching Battery



LUCOH

www.lucloh.com
+86-571-87114761

UNI-C III BATTERY SYSTEM



VORTEX



BAYMAX



VOLT (UNDER DEVELOPING)



UNI-C III ADAPTOR
CAN BE POWERED BY 9 BRANDS OF TOOL BATTERIES.



UNI-C II BATTERY SYSTEM



UNI-C II BATTERY



VORTEX





40W



80W

VORTEX-80W

- P** 80W
- L** 10000LM
- IP** IP65

VORTEX-40W

- P** 40W
- L** 5000LM
- IP** IP65

SIZE
80W:267*147*360mm
40W:267*147*291mm

RA
>80

USB OUTPUT
5V,2A

BATTERY
19.2V 6.0Ah LiFePO4

CHARGING TIME
1.5-2H(21.6V 4A AC pack)

WORKING MODE
20%-40%-60%-80%-100%
Switch:ON/OFF

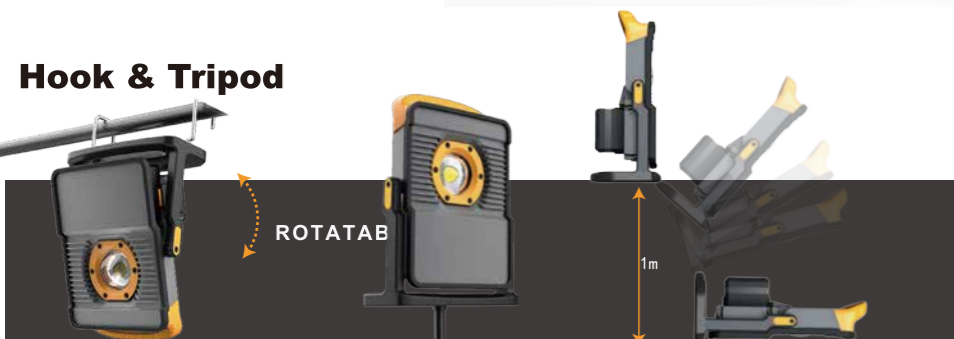
WORKING TIME
80W:1-2H(100%)
8-9H(20%)
40W:3-4H(100%)
13-14H(20%)

MATERIAL
Cast aluminium/PC/ABS

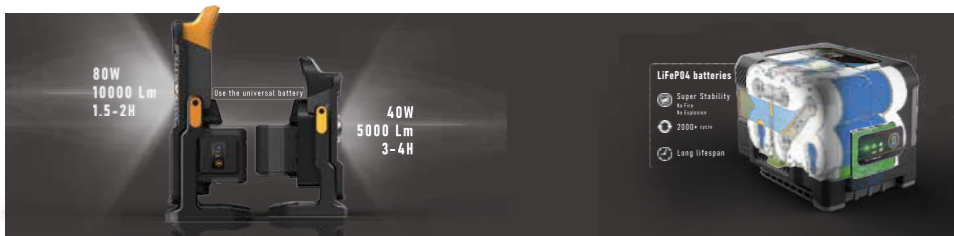
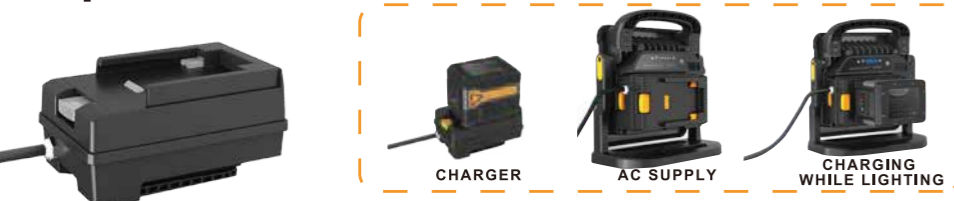
CCT
4000K(Optional)

BEAM ANGLE
120degree

Hook & Tripod



AC pack



VORTEX-20W

- P** 20W
- L** 2200LM
- IP** IP65(WITHOUT TOOL BATTERY)

POWER SUPPLY
7 Brands Tool Batteries Available
or AC supply

USB OUTPUT
Max 5V,1A

WORKING MODE
25%-50%-100%-OFF

CCT
4000K(Optional)

RA
70

BEAM ANGLE
60degree

ADAPTOR
Input: AC 100-240V Output: DC 12V 2A

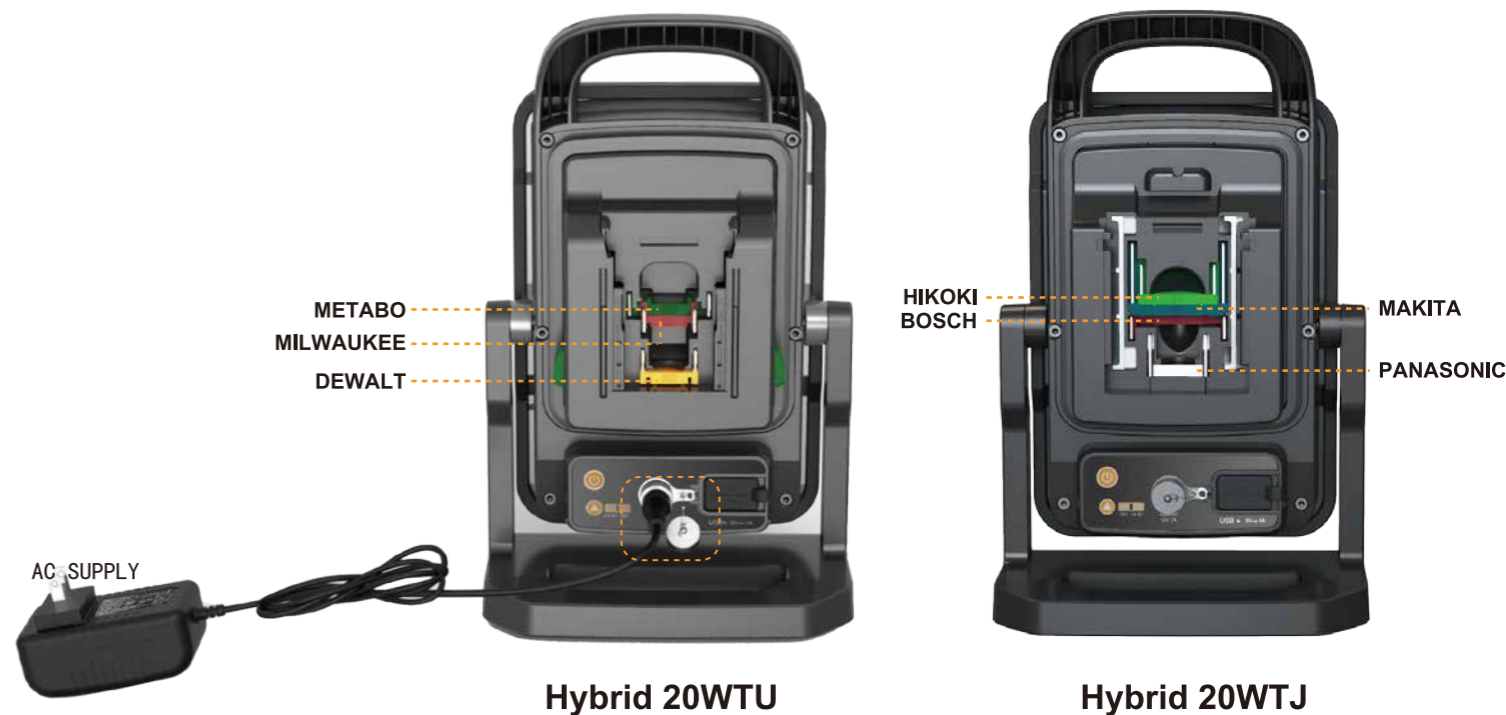


HOOK

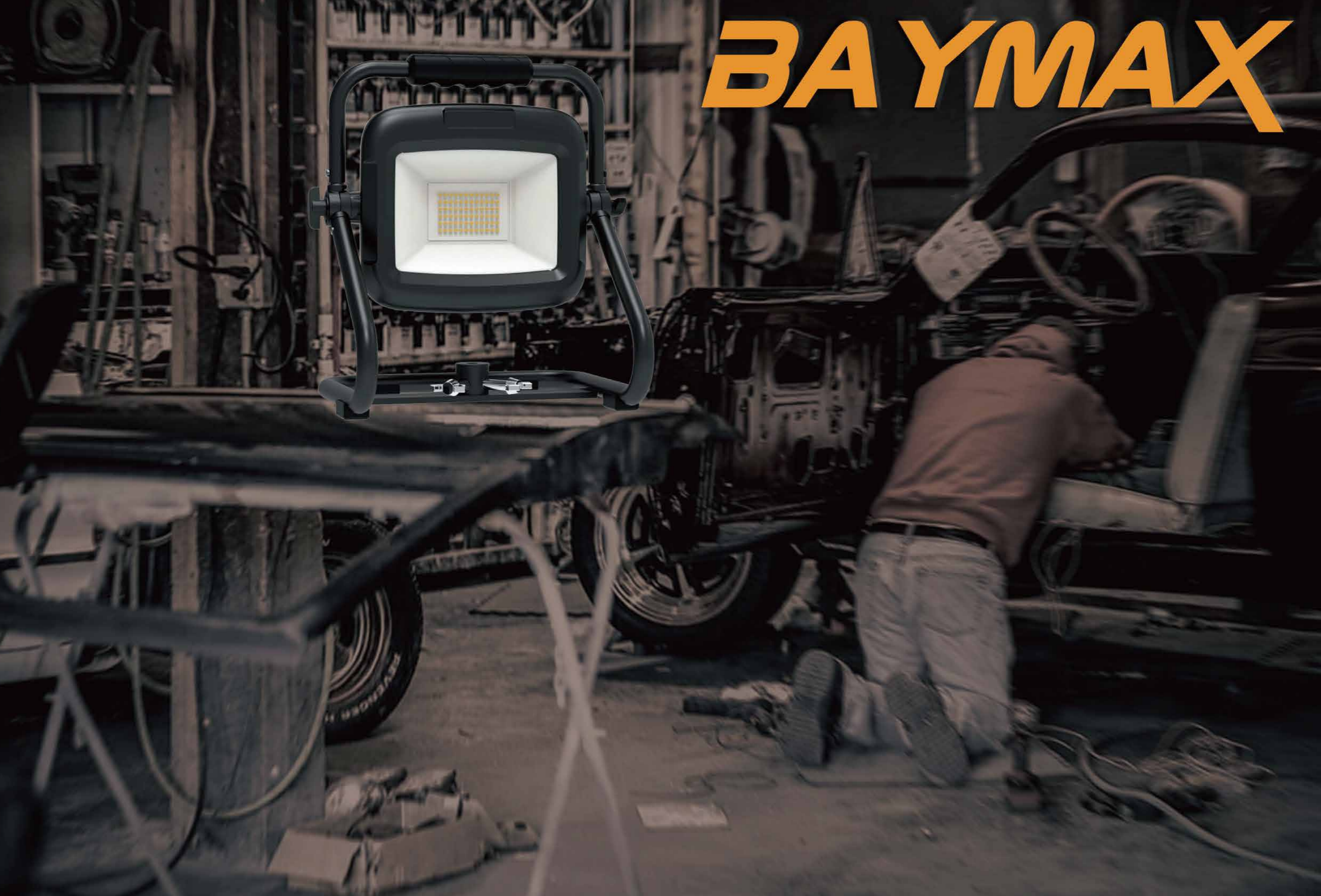


MAGENT

7 Brands Tool Batteries Available(14.4V/18V):



BAYMAX



60W

30W



DETACHABLE-30W

30W
5000LM
IP65

DETACHABLE-60W

60W
8000LM
IP65

FIXED-30W

30W
5000LM
IP65

FIXED-60W

60W
9000LM
IP65

60W

30W



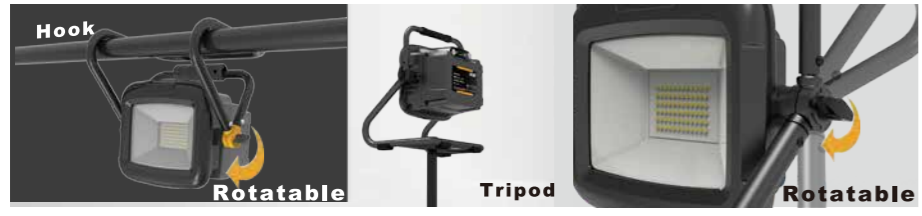
BACK



DETACHABLE BATTERY



Feature



AC pack



SIZE
30W:312x230x334mm
60W:312x230x334mm

RA
>70

WORKING MODE
100%-50%-OFF

MATERIAL
ABS&Cast aluminium

CCT
6000K(Optional)

BEAM ANGLE
120 degree

BATTERY CAPACITY
19.2V,6000mAh 115.2Wh/
LiFePO4 battery

CHARGING TIME
1.5-2H(21.6V 4A AC pack)

WORKING TIME
30W:4-5H(100%)/7-8H(50%)
60W:2-3H(100%)/5-6H(50%)

SIZE
30W:312x230x334mm
60W:312x230x334mm

RA
>70

WORKING MODE
100%-50%-OFF

MATERIAL
ABS&Cast aluminium

CCT
6000K(Optional)

BEAM ANGLE
120 degree

BATTERY CAPACITY
30W:12.8V 16Ah 205Wh
60W:12.8V 20Ah 256Wh

CHARGING TIME
30W: 5-6H
60W:9-10H

WORKING TIME
30W:8H(100%)
60W:6H(100%)

BACK



FIXED BATTERY

Feature



VOLT

360° SITE LIGHT



2M



VOLT-90W

P 3X30W

L 12000-15000LM

IP IP65

RA

70

USB OUTPUT

5V,2A

BATTERY

1/battery:19.2V 6000mAh 115.2Wh
LiFePO4

CHARGING TIME

1/battery:1.5-2H(21.6V 4A)

WORKING MODE

ON/OFF, 25%-50%-75%-100%

WORKING TIME

AC Pack/

Two batteries:2-2.5H(100%)

CCT

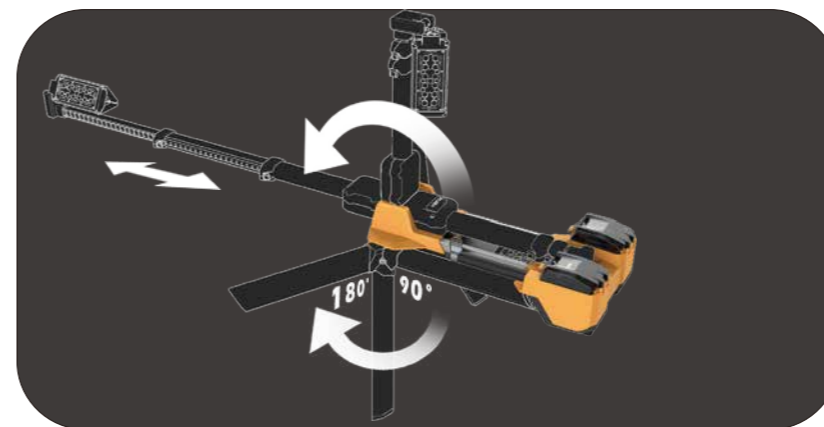
5000K(optional)

BEAM ANGLE

120°

SIZE

711*351*220mm(stored),
High:2m(use)



ADJUSTABLE ILLUMINATION ANGLE



SERIES 2040

L10-2040-40W

- Ⓟ 40W
- 💡 4000LM
- 🛡️ IP65
- 🔋 4 H/BATTERY
- 🔋 4 H/BATTERY, 7-8H/2* BATTERIES

SIZE & WEIGHT

234.5*178.5*284.08mm & 3885g

BEAM ANGLE

60 Degree

CCT

Optional

ACCESSORY

AC 100-240V input, DC 25.2V, 2A output charger

BATTERY

1 or 2 batteries
(capacity of each battery: 22.2V, 4.4Ah or 5.2Ah)

WORKING MODE

100%-50%-off

BATTERY INDICATOR

5 levels indicator
green/green/green/amber/red

BATTERY PROTECTION

over-charging and over-discharging protection and
high temperature protection(70 °C).

L10-2040-20W

- Ⓟ 20W
- 💡 2000LM
- 🛡️ IP65
- 🔋 4 H/BATTERY
- 🔋 8H/BATTERY, 15-16H/2* BATTERIES

SIZE & WEIGHT

234.5*178.5*284mm & 3885g

BEAM ANGLE

60 Degree

CCT

Optional

ACCESSORY

AC 100-240V input, DC 25.2V, 2A output charger

BATTERY

1 or 2 batteries
(capacity of each battery 22.2V, 4.4Ah or 5.2Ah)

WORKING MODE

100%-50%-off

BATTERY INDICATOR

5 levels indicator
green/green/green/amber/red

BATTERY PROTECTION






over-charging and over-discharging protection and
high temperature protection(70 °C).



SERIES G2040

G2040 SERIES

L10-G2040-40W

-  40W
-  4000LM
-  IP65
-  4 H/BATTERY
-  3-4H

SIZE & WEIGHT

232*212*365mm & 3110g

BEAM ANGLE

60 Degree

CCT

Optional

ACCESSORY

AC 100-240V input, DC 25.2V, 2A output charger

BATTERY

capacity of each battery: 22.2V ,4.4Ah or 5.2Ah

WORKING MODE

100%-50%-off

BATTERY INDICATOR






5 levels indicator
green/green/green/amber/red

BATTERY PROTECTION

over-charging and over-discharging protection and high temperature protection(70°C).



L10-G2040-20W

-  20W
-  2000LM
-  IP65
-  4 H/BATTERY
-  7.5H/BATTERY

SIZE & WEIGHT

232*212*365mm & 3110g

BEAM ANGLE

60 Degree

CCT

Optional

ACCESSORY

AC 100-240V input, DC 25.2V, 2A output charger

BATTERY

capacity of each battery: 22.2V ,4.4Ah or 5.2Ah

WORKING MODE

100%-50%-off

BATTERY INDICATOR

5 levels indicator
green/green/green/amber/red

BATTERY PROTECTION

over-charging and over-discharging protection and high temperature protection(70°C).



AC&DC HYBRID

AC&DC HYBRID

L10-HBD2040-40W

P 40W

IP IP65

SIZE & WEIGHT
235*179*284mm & 3500g

INPUT VOLTAGE
100-240V,50/60HZ

LUMEN
5000lm

RA	CCT	PF
70	Optional	>0.9

WORKING MODE
plug-in:on / plug-out:off

SURGE PROTECTION
1KV-2KV

DC (OPTIONAL)
Lumen:5000lm
Power supply:
Battery OR No battery but multi-adapter
(TJ-41 TU-31) for power tools battery
Working Mode:100%-50%-off



Battery



TJ-41



TU-31

L10-HBDG2040-40W

P 40W

IP IP65

SIZE & WEIGHT
232*212*365 mm & 3800g

INPUT VOLTAGE
100-240V,50/60HZ

LUMEN
5000lm

RA	CCT	PF
70	Optional	>0.9

WORKING MODE
plug-in:on / plug-out:off

SURGE PROTECTION
1KV/2KV

DC (OPTIONAL)
Lumen:5000lm
Power supply:
Battery OR No battery but multi-adapter
(TJ-41 TU-31) for power tools battery
Working Mode:100%-50%-off



Battery



TJ-41



TU-31

360 PRO AREA SITE LIGHT



360 SITE LIGHT

L13-2002

- 45W
- 6000LM
- IP65
- 4H
- 4H(FULL POWER)

SIZE&WEIGHT
170*170*277mm,3600g

RA
70

BATTERY
14.8V 10.4Ah

MATERIAL
Cast aluminium

CCT

Optional

WORKING MODE
100%-50%-15%-OFF





L13-2003

- 15W
- 2000LM
- IP65
- 4-5H
- 3H(FULL POWER)

SIZE
φ94X299mm

BATTERY
7.2V 4.5AH Li-ion battery

WORKING MODE/(WORKING TIME)
4 side light & top light/(3H)
4 side light& top light half power/(5-6H)
1 side light only/(12H)
top light/(12H)

CCT
5000K-6000K(optional)

ACCESSORY
AC100-240V input,DC12V,1A output adaptor

Magnet&hook
magnet&hook on the bottom.

PC handle with rubber cover&rubber ring
Shockproof.

Power indicator



PROTABLE TASK LIGHT





L01-2008C-W

- 5W
- 600LM
- IP44
- 4-5H(5V,1A)
- HIGH:3H/LOW:6H

SIZE & WEIGHT

φ 82*65mm & 267g

BEAM ANGLE

60 Degree

CCT RA
Optional 70

ACCESSORY

USB cable

BATTERY

3.7V ,4000mAh

WORKING MODE

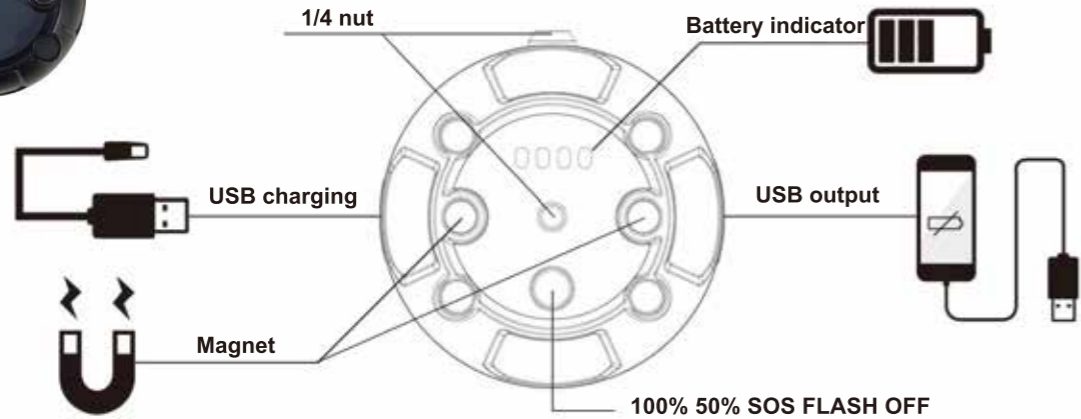
HIGH-LOW-SOS-FLASH-OFF

BATTERY INDICATOR

With 4pcs battery indicators

BATTERY PROTECTION

Over-charging and over-discharging protection



Optional



L01-2009C-W

- 5W
- 600LM
- 5-6H(5V,1A)
- HIGH:3H/LOW:6H
- IP44

SIZE& WEIGHT

φ 89*106.5mm, 420g(magnetic base included)

BEAM ANGLE

60 Degree

BATTERY

3.7V 4000mAh

RA

>70

CCT

Optional

WORKING MODE

HIGH-LOW-SOS-OFF

ACCESSORY

USB cable

BATTERY PROTECTION

Over-discharging protection and over-charging protection



Rubber ring (Fluorescence)



USB



Magnet & Hook

